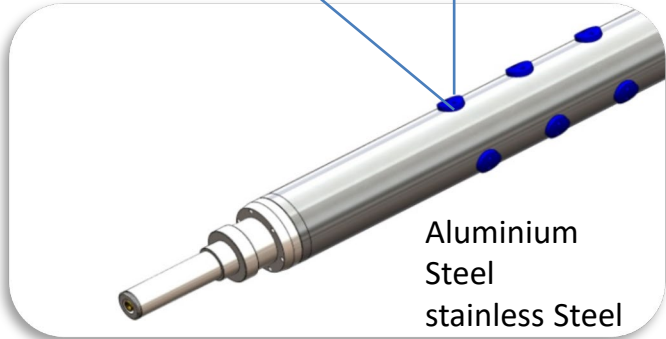
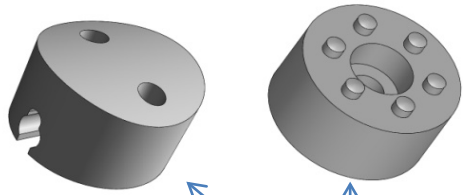


Rubber "high friktion"

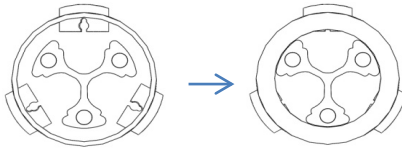
PA6 Glass "Heavy grip"



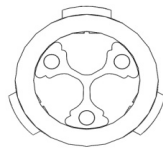
Aluminium  
Steel  
stainless Steel

*Ekspanding shafts made in diameters from Ø60 to "no limits".  
Always with 3, or more, individual tubes, for best centering.*

Principle sketch

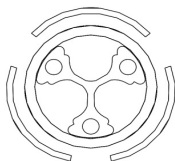


From ultra lightweight to heavy  
duty matching costumers need  
for weight and strength.

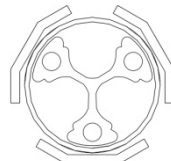


A shaft with a lengths off 2 meter will  
typical weigt 18kg and carry up to  
1200kg

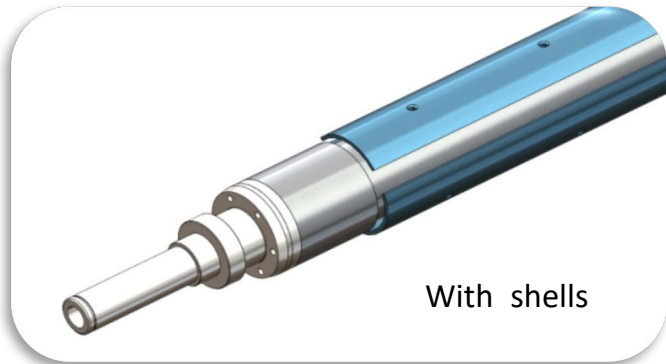
Principle sketch



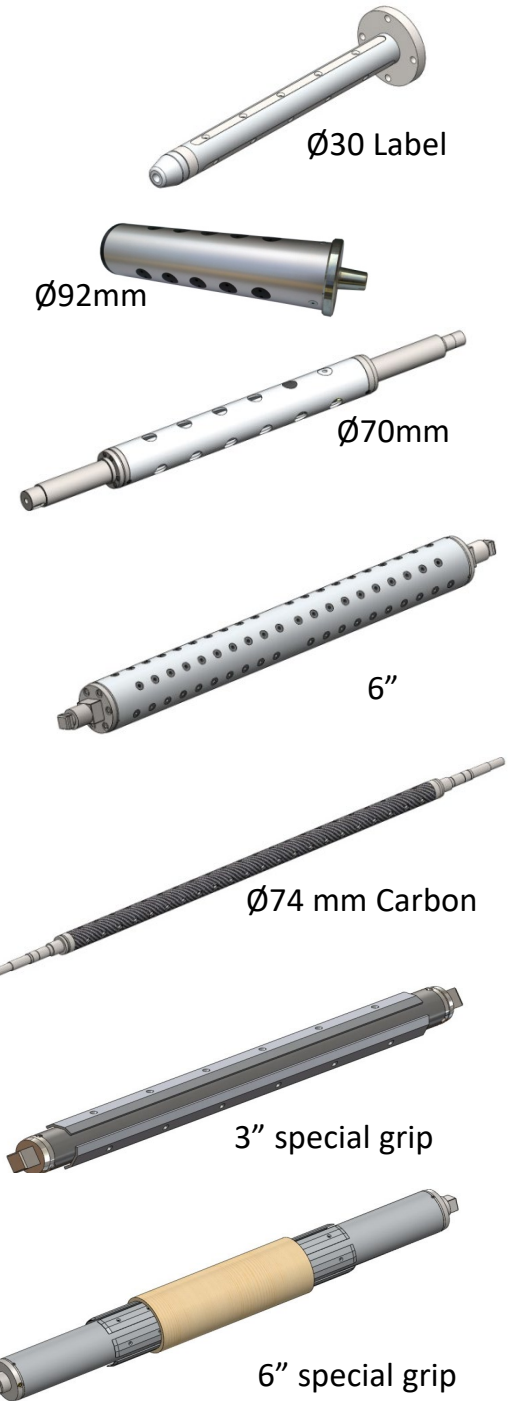
Gentle grip



Tough grip



With shells



Ø30 Label

Ø92mm

Ø70mm

6"

Ø74 mm Carbon

3" special grip

6" special grip